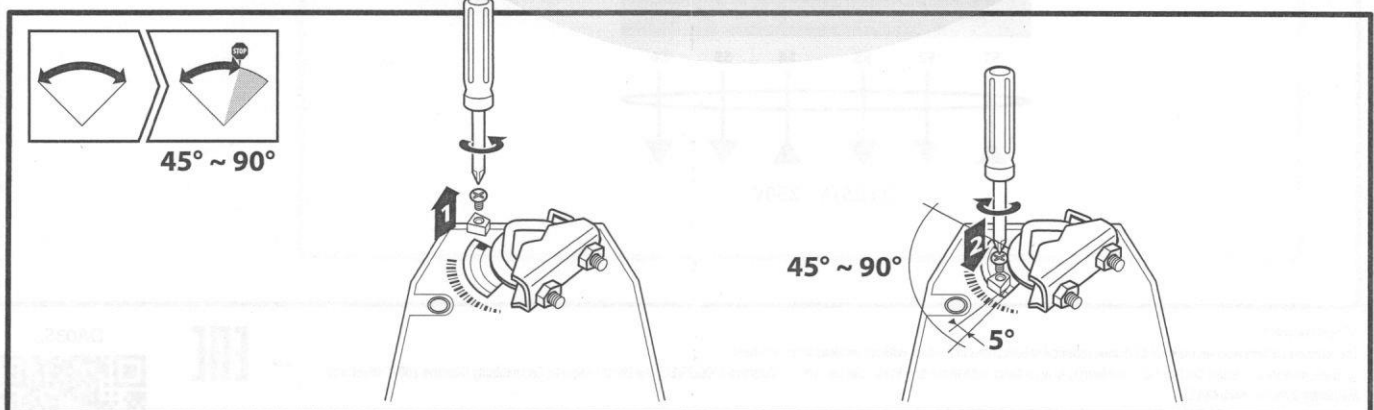
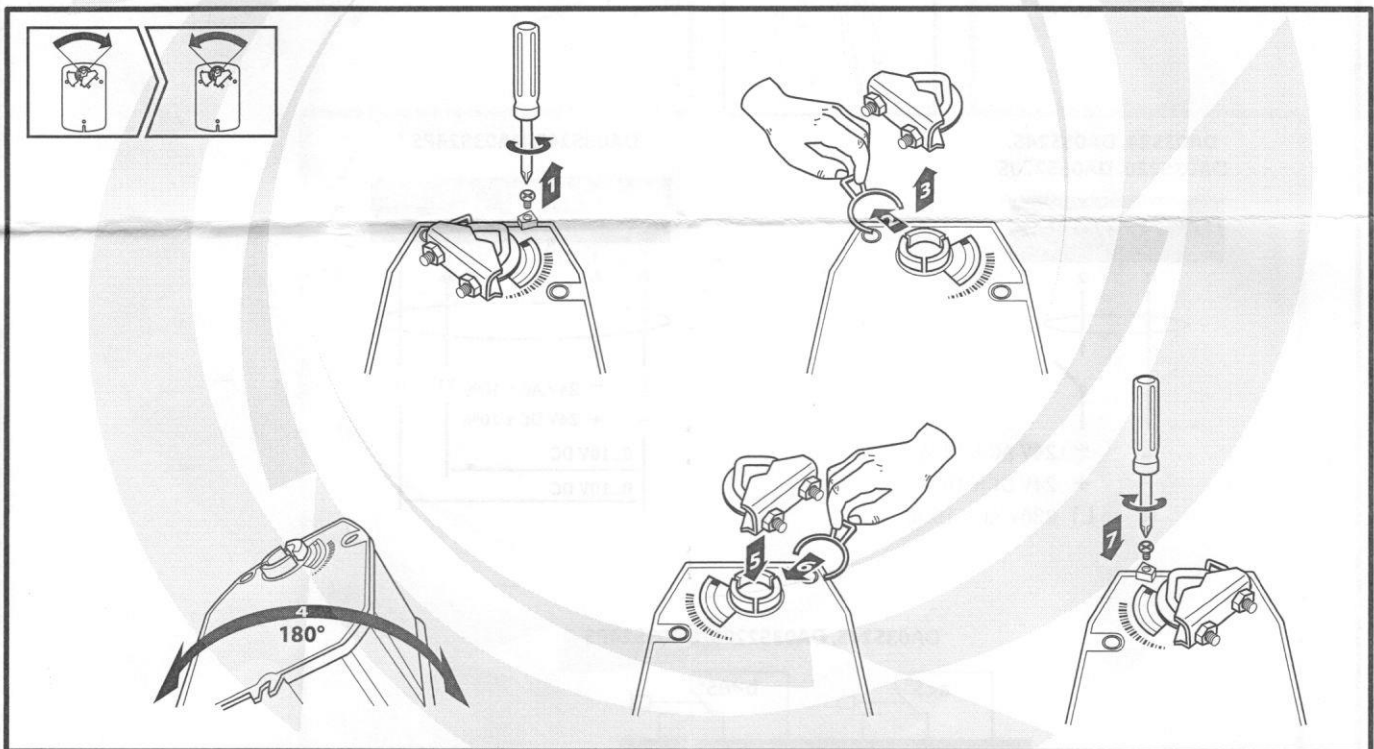
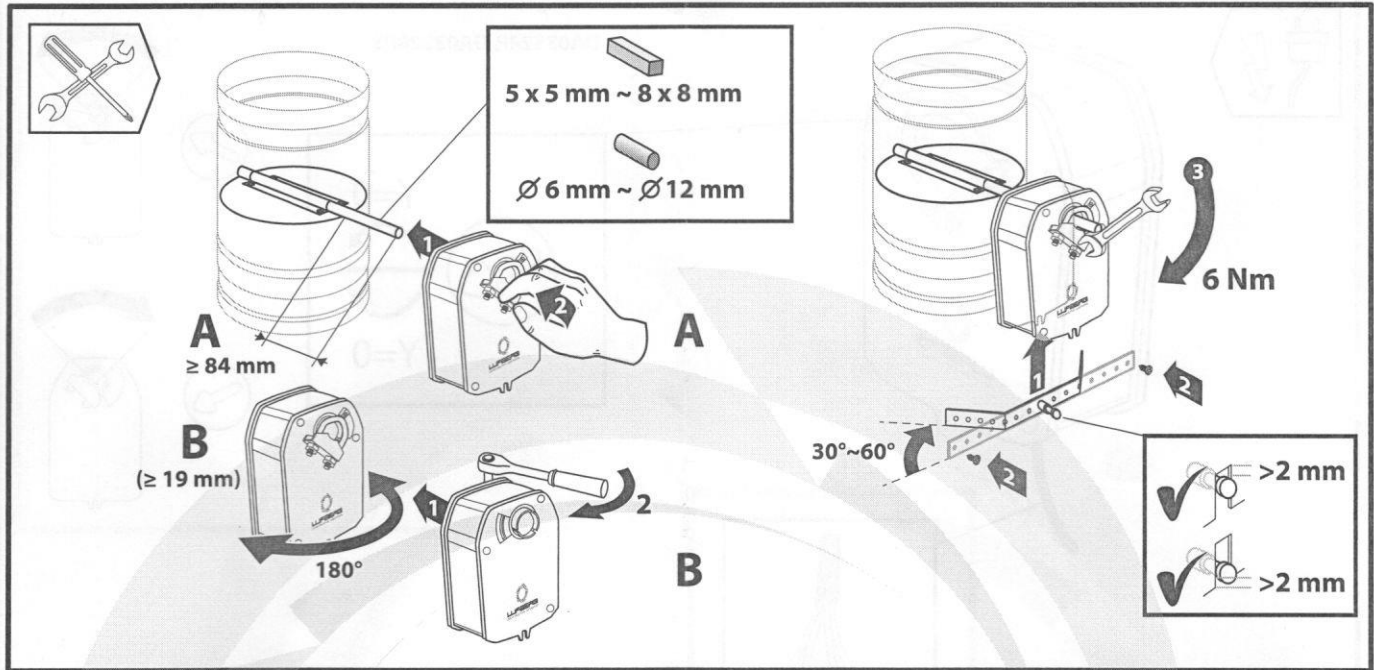


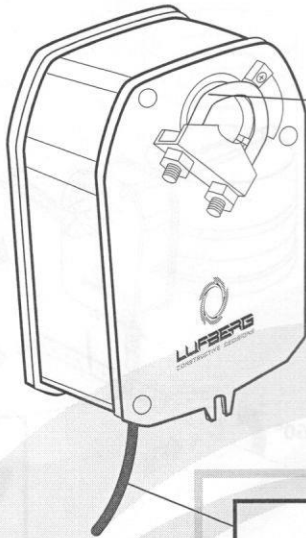
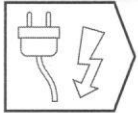
# Actuator, Klappenstellantrieb, Электропривод, Servomotor

DA03S...

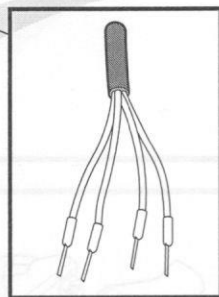
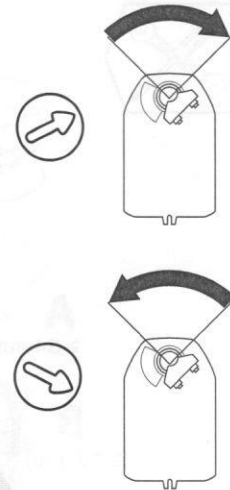
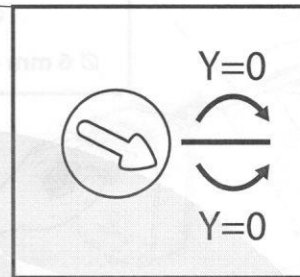


# Actuator, Klappenstellantrieb, Электропривод, Servomotor

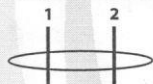
DA03S...



DA03S24P, DA03S24PS



DA03S24, DA03S24S,  
DA03S220, DA03S220S



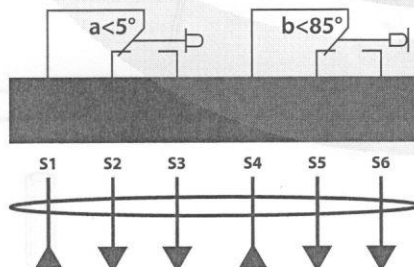
⊥ ~ 24V AC ± 10 %  
- + 24V DC ± 10 %  
N L1 230V AC ± 10 %

DA03S24P, DA03S24PS



⊥ ~ 24V AC ± 10% Y1 U  
- + 24V DC ± 10%  
0...10V DC  
0...10V DC

DA03S24S, DA03S220S, DA03S24PS



3 (1,5)A / 250V

All rights reserved.  
The company Lufberg reserves the right to change technical specifications of product without previous announcement.  
On these product was issued Declaration of conformity in accordance with those directives: the Low Voltage Directive 2006/95/EC, the Electromagnetic Compatibility Directive 2004/108/EC and Machinery Directive 2006/42/EC  
Lufberg s.r.o., Pernerova 780, 56501, Chocen, Czech Republic E-mail: info@lufberg.eu  
Импортер в РФ: ООО "ВЕНТ ИМПЕКС", Российская Федерация, 197342, г. Санкт-Петербург, набережная Черной речки, д.41, лит.В, помещение 47Н, ч.9, E-mail: vent.impex@mail.ru



DA03S...

